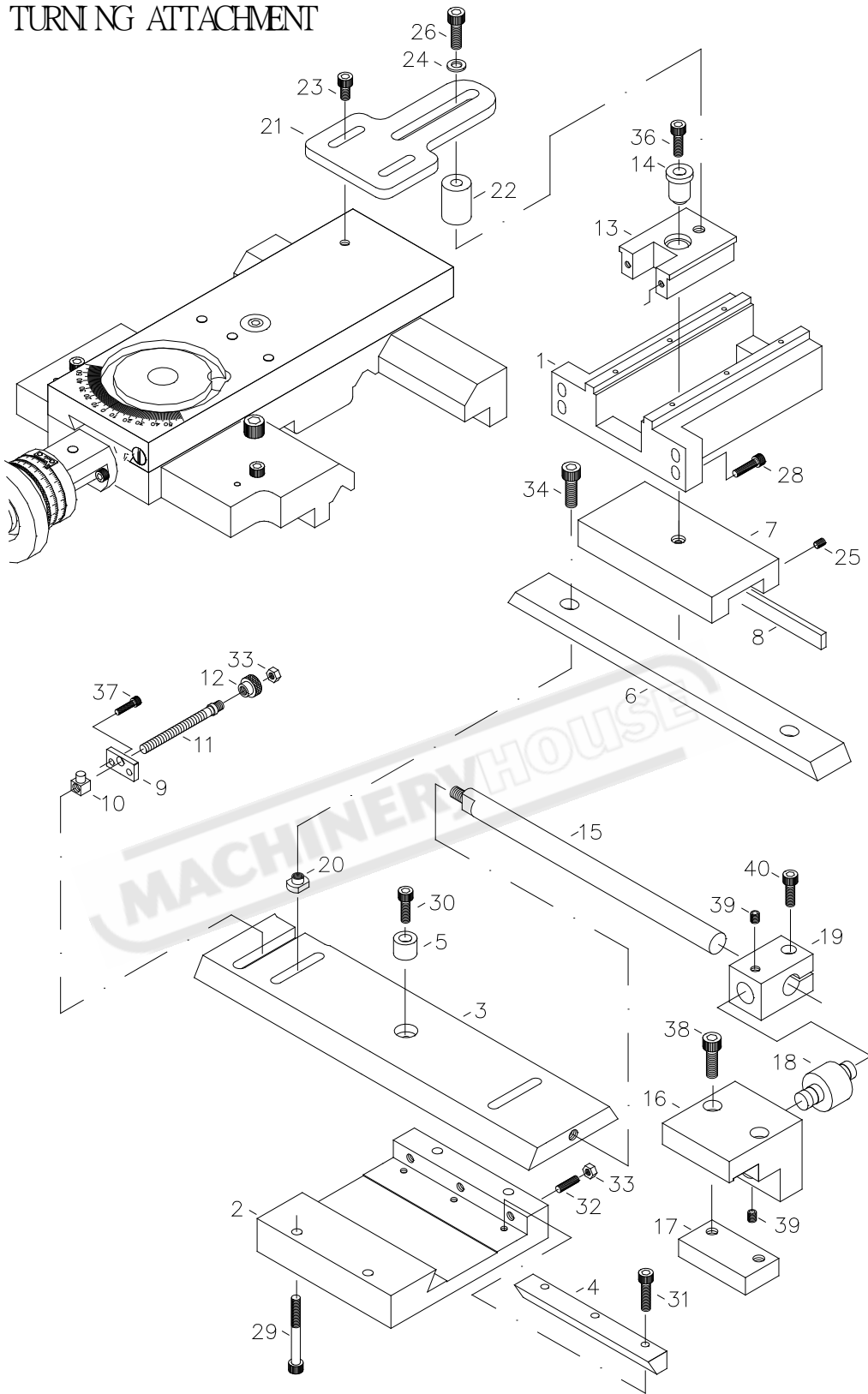


# TURNING ATTACHMENT



## TURNING ATTACHMENT

REF . NO.	PART NO.	DESCRIPTION	Q"TY
1	VES2901	SUPPORT	1
2	VES2902	BASE	1
3	VES2903	SLIDE	1
4	VES2904	TAPPED PIN	1
5	VES2905	SLEEVE	1
6	VES2906	ADJUSTABLE SEAT	1
7	VES2907	ADJUSTABLE LID	1
8	VES2908	TAPPED PIN	1
9	VES2909	WASHER	1
10	VES2910	FIXING PLATE	1
11	VES2911	ADJUSTABLE ROD	1
12	VES2912	HANDLE	1
13	VES2913	SLIDE	1
14	VES2914	COVER	1
15	VES2915	CONNECTING ROD	1
16	S2916	SLIDE	1
17	VES2917	PRESSING PLATE	1
18	VES2918	SHAFT	1
19	VES2919	FIXING PLATE	1
20	VE2419	NUT	2
21	S2921	BRACKET	1
22	S2920	COLLAR	1
23	S2923	BOLT ( M8 x 10L)	2
24	S2924	SEAL (M10)	1
25	S2925	BOLT ( M6 x15L)	5
26	S2926	BOLT ( M10 x 60L)	1
27			
28	S2928	BOLT ( M8 x 30L)	4
29	S2929	BOLT ( M8 x 4 0L)	4
30	S2930	BOLT ( M6 x 18L)	1
31	S2931	BOLT ( M6 x 30L)	3
32	S2932	BOLT ( M8 x35L)	3
33	S2933	NUT (M8)	4
34	S2934	BOLT ( M8 x 30L)	2
35			
36	S2936	BOLT ( M8 x 30L)	1
37	S2937	BOLT ( M5 x 15L)	2
38	S2938	BOLT ( M10x45L)	2
39	S2939	BOLT ( M8 x10L)	2
40	S2940	BOLT ( M8 x 30L)	1